

AMERICAN STOCK DOG REGISTRY

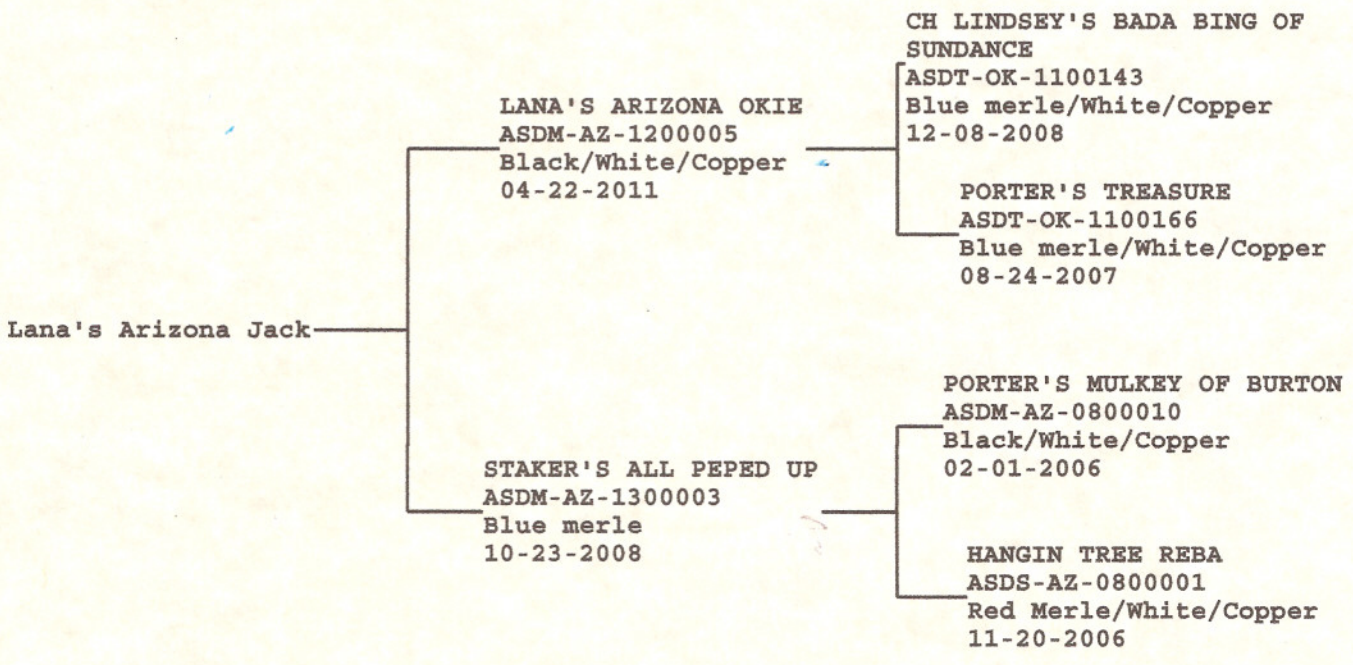
P.O. Box 7510, Columbia, MO 65205
phone: 573-864-9253 or 9254 fax: 480-247-5516

Standard Australian Shepherd REGISTRATION CERTIFICATE

NAME: Lana's Arizona Jack

BREED: Australian Shepherd
NUMBER: ASDS-AZ-1500008
DOB: 11-01-2012
SEX: Male

COAT COLOR: Red/White/Copper
EYE COLOR: Amber/Hazel
TAIL: Docked



OWNER: Lana Bowers
Taylor, AZ 85939-0936

BREEDER: Nathan & Denise Staker

REGISTRATION DATE: 03-02-2015

